

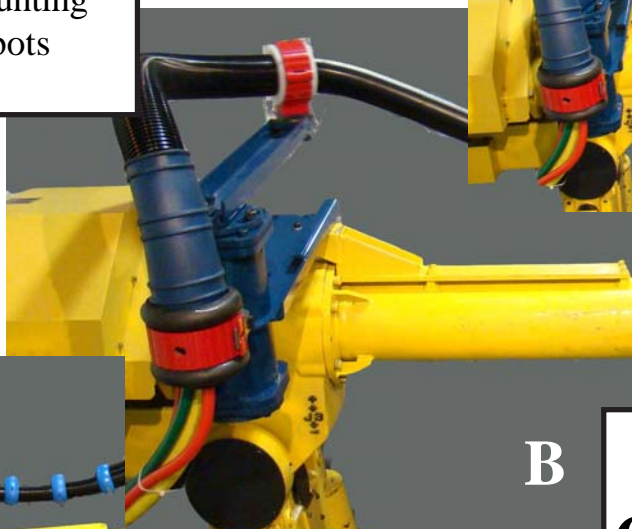


FLEX-CABLE

SPRING RE-TRACT Robotic Dress-Out Retracting System

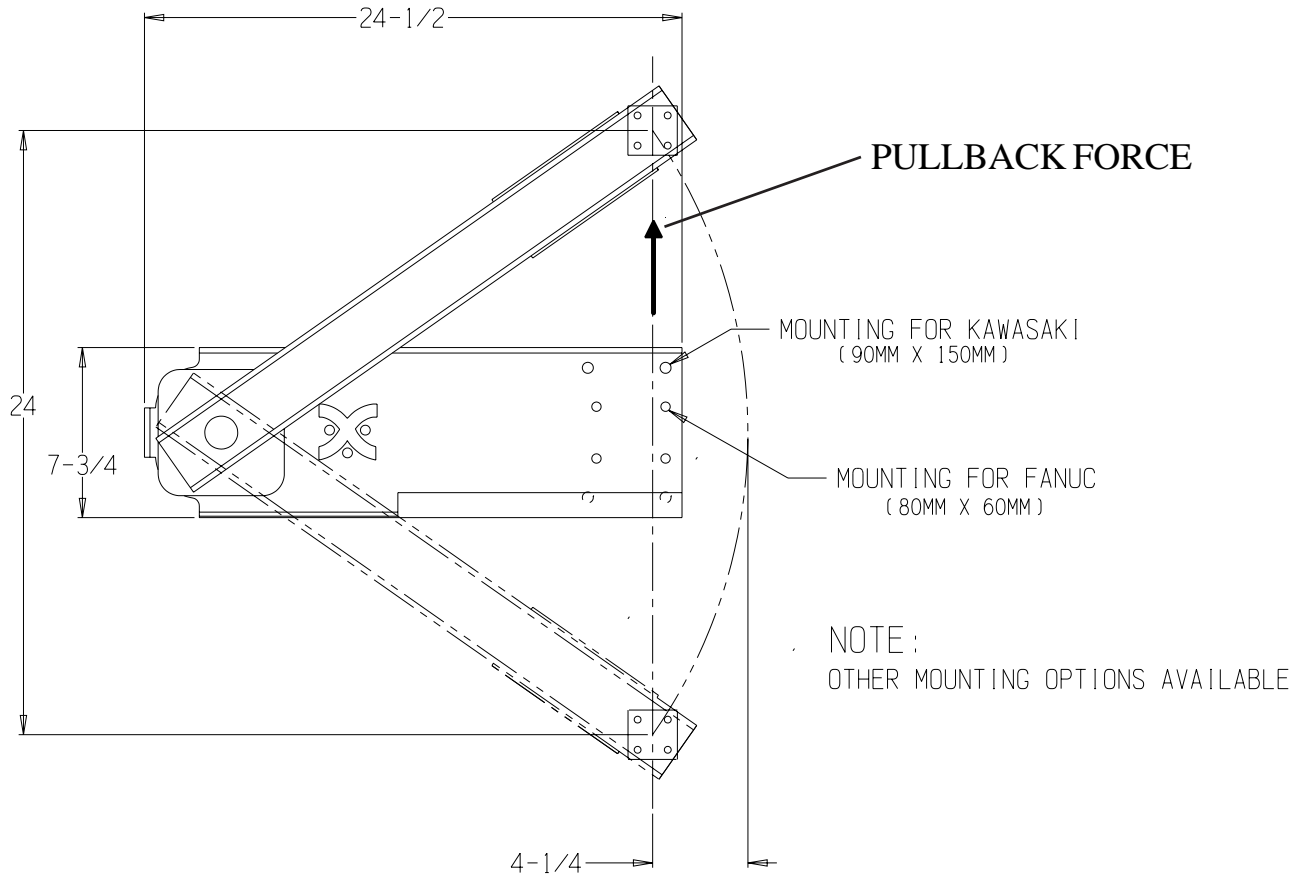


~ 24" of travel clearance
~ Holds a bundle up to 4.5"
~ Ambidextrous mounting
on a variety of robots



100%
Contained,
Adjustable
Spring

A = Back Position
B = Hold Position
C = Fully Extended



Part Number	Nominal Pullback Force Lbs (N)
9090-A	10 (44)
9090-B	15 (66)
9090-C	20 (88)
9090-D	24 (106)