

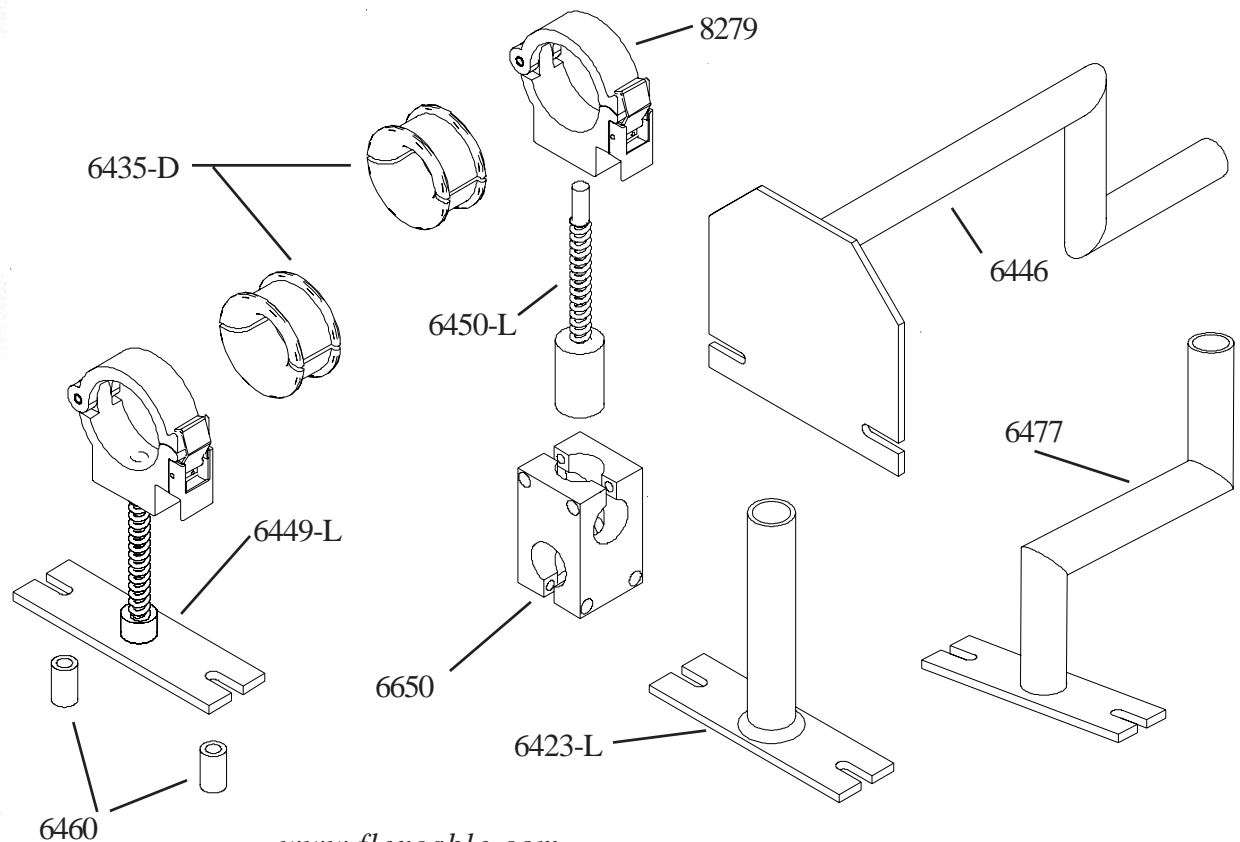
MIG Assemblies

SPRING MOUNTED MINI CLAMP

Light weight aluminum spring mounted MINIClamp gives flexibility and function to Robotic MIG welding applications. Features a quick-release/positive latching clasp. Brackets shown fit ABB IRB MIG welding robot.

MIG Assemblies		
Part No.	Description	
6650	90° Clamping Block	Fits Assy. 6423-L, 6446, 6477
6423-L	IRB Pipe Standoff	L= pipe length in 1/4" increments
8279	2-1/2" Mini Clamp	(see page 3)
6435-D	Slip Grommet	D=ID in 1/16" increments
6446	IRB Clearance Standoff	
6449-L	IRB Spring Standoff	Spring length in 1/4" increments
6450-L	Mig Spring Standoff	Spring length in 1/4" increments
6460	Plate Standoff	2 included with each plate
6477	IRB Bent Tube Standoff	

**Additional assemblies are available for other robots.
Please contact us with your individual needs.**



www.flexcable.com