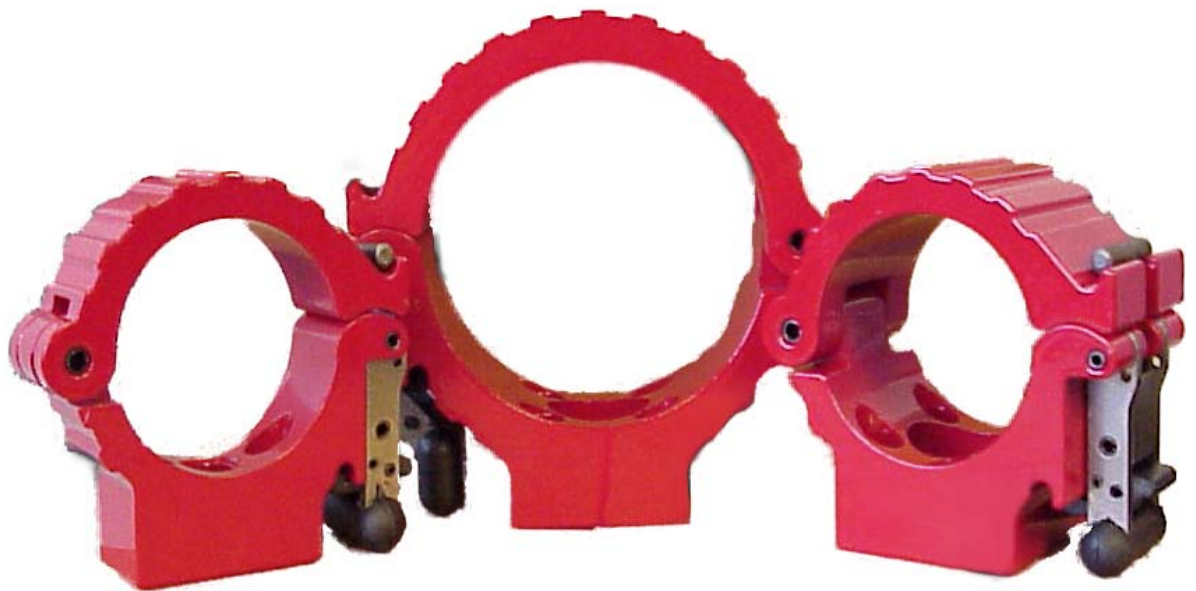




## CLAMPS

Designed and field tested for durability and ease of use, these tough aluminum clamps can be used for a multitude of robotic and industrial harnessing applications. Two sizes available for large diameter cables and hoses and small control and primary cables and hoses.



*2-1/2" Mini Clamp*

*2-1/2" Clamp*

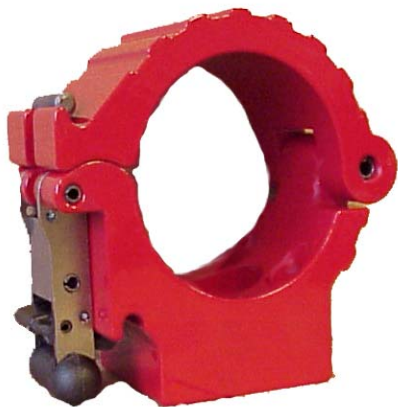
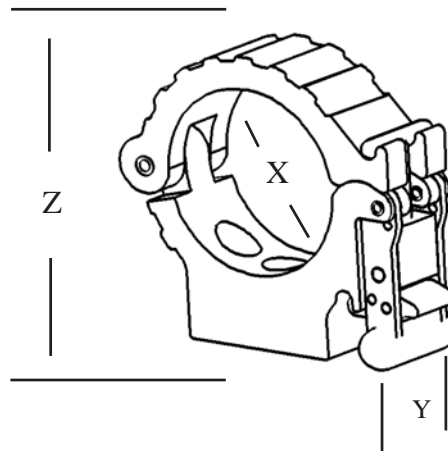
*4" Clamp*

Swivel	Clamp	Clamp	Description
Base		w/Swivel	
	6619		6" Clamp
9112	6513	6779	4" Clamp
9112	6520	8018	2-1/2" Clamp
	8279	8349	2-1/2" Mini Clamp

# CLAMPS

*Flex-Cable's rugged Clamps, available with a fixed or swivel base, hold various Grommets to secure cables and air/water hose bundles.*

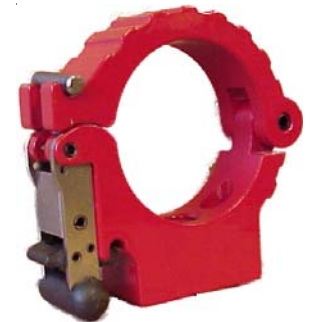
Part Number	6513	6520	8279	9112
Material	6061T6 Extruded Aluminum	6061T6 Extruded Aluminum	6061T6 Extruded Aluminum	Steel with Oil Impregnated Bronze
Hole Diameter (X)	4 in./102 mm	2.5 in. / 64mm	2.5 in. / 64mm	
Height (Z)	5.625 in./142 mm	3.875 in./98 mm	3.875 in./98 mm	.50 in./13 mm
Width	6 in./152 mm	4.7 in./119mm	4.7 in./119mm	2.25 in./57 mm
Thickness (Y)	2.125 in./54 mm	2.125 in./54 mm	1.125 in./28 mm	2.25 in./57 mm
Weight	2 lbs/.97 kg	1.4 lbs/ .64 kg	>1 lb/.34 kg	2.12 lbs./.96 kg



*2-1/2" Clamp  
Part #6520*



*4" Clamp  
Part #6513*



*2-1/2" Mini Clamp  
Part # 8279*

*Shown with optional Swivel (Part # 9112)*