

Water Cooled Cables



Color-Flex Cable

The Color-Flex cable jacket is made up of a specially formulated, six layer, natural rubber compound with an abrasion resistant bumper as an integral part of the jacket, making it completely durable to overcome distress and flexure.



Complex Cable

Available in Standard and Flex-cel Process, these cables have a rubber jacket that is ergonomical, offering individually wrapped internal copper ropes with a perforated protective sleeve, which would improve water flow, decrease operating temperature and improve flexibility.



American Power Cable

Combined with proper dress out and a good preventative maintenance program, this cable will virtually eliminate down time. The interior construction and outer hose make this cable a hard worker and a true value.



Euro-Flex Cable

These cables have a rugged urethane outer jacket allowing for the combined advantage of safety, abrasion- resistance and long cable life into one unique design. Perforations and flow space between the wire and material create a sufficient Thermally Forced Cooling System.



Water Cooled Cable Selection Guide

COLOR-FLEX CABLE

Applications: Medium robotic use

Standard cable for typical robotic applications. This cable offers good support while allowing the cable to bend and twist. Made of polyester tire cord for durability.

AMERICAN POWER CABLE

Applications: Medium to heavy robotic use

The step up from Color-Flex, this is the best solution for applications that perform many tight bends and twists. Constructed the Flex-cel way, this cable gives good support and resists abrasion. While improving flexibility, the cooling channels trap broken wire strands and prevent plugged water ports.

EURO-FLEX CABLE

Applications: Heavy to extreme robotic use

This cable can handle high abrasion situations with a Polyurethane outer layer on the jacket. Euro-Flex combines a durable interior with a durable exterior creating the highest performing cable ever.

COMPLEX CABLE

Applications: Manual gun use

This cables ability for extreme bends and twists reduces the ergonomic stress on the gun operator and maintains safety with a reinforced rubber tube inside.



Water Cooled Cable Order Form

<input type="checkbox"/>	<input type="checkbox"/>	<input type="checkbox"/>	<input type="checkbox"/>	<input type="checkbox"/>	<input type="checkbox"/>	<input type="checkbox"/>	<input type="checkbox"/>	<input type="checkbox"/>	<input type="checkbox"/>	<input type="checkbox"/>	<input type="checkbox"/>	<input type="checkbox"/>	<input type="checkbox"/>
--------------------------	--------------------------	--------------------------	--------------------------	--------------------------	--------------------------	--------------------------	--------------------------	--------------------------	--------------------------	--------------------------	--------------------------	--------------------------	--------------------------

MCM SIZE

35 = 350MCM
40 = 400MCM
50 = 500MCM
60 = 600MCM
75 = 750MCM
10 = 1000MCM

CABLE TYPE

LC = COLOR-FLEX
AP = AMERICAN POWER
UR = EURO-FLEX
CR = COMPLEX

TERMINAL 1

See terminal chart.

TERMINAL 2

See terminal chart.

LENGTH IN INCHES

Please specify.

OPTIONS

E = EXO SYSTEM ON CABLE
B = FLEX-CEL CONSTRUCTION
SB = STAINLESS STEEL BANDS
DB = DOUBLE BANDING
M = EXO SYSTEM ON CABLE AND FLEX-CEL CONSTRUCTION

EXAMPLE:

35WSW1FW6-22-E

DESCRIPTION:

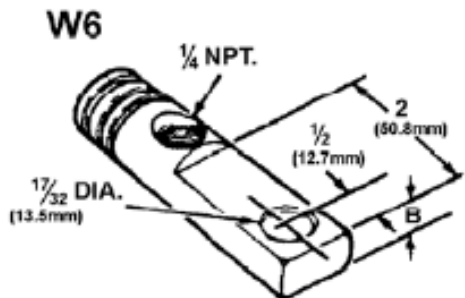
22 IN., 350MCM, COLOR-FLEX WITH W1F & W6 TERMINALS, CABLE WRAPPED WITH EXO.

Call, email or check out our website for technical support or questions on our products

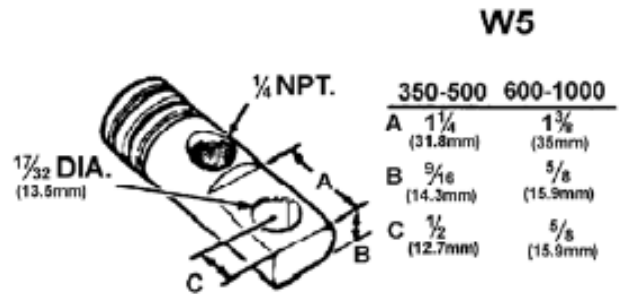


Water Cooled Cable Terminals Chart

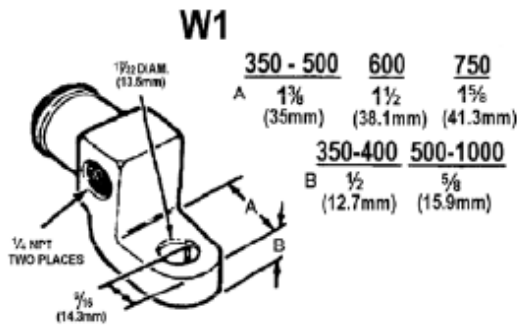
Flex-Cable offers a complete line of terminals machined from high-conductive copper bar stock. Terminals are kept in matched halves throughout production and assembly. All Water Cooled cables are air pressure tested under water and quality assured. Cable resistance documentation for cable life expectancy is available as required.



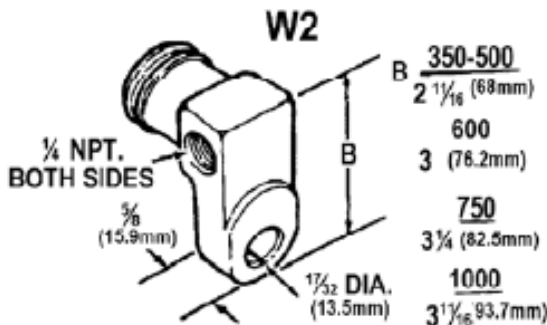
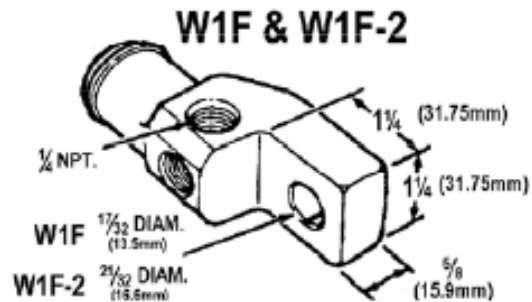
B	
350 - 500	$\frac{9}{16}$ (14.3mm)
600 - 1000	$\frac{5}{8}$ (15.9mm)



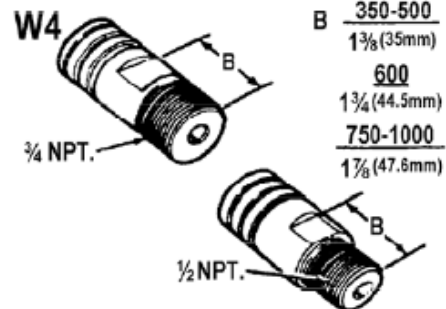
	350-500	600-1000
A	$1\frac{1}{4}$ (31.8mm)	$1\frac{3}{8}$ (35mm)
B	$\frac{9}{16}$ (14.3mm)	$\frac{5}{8}$ (15.9mm)
C	$\frac{1}{2}$ (12.7mm)	$\frac{5}{8}$ (15.9mm)



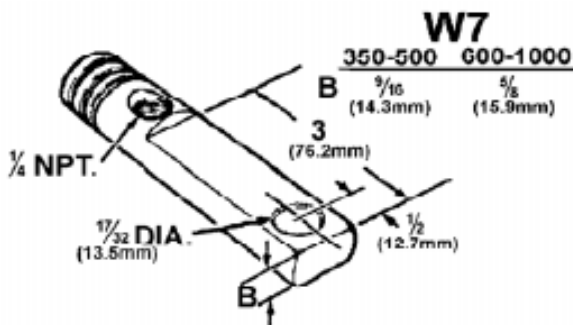
	350 - 500	600	750
A	$1\frac{1}{8}$ (35mm)	$1\frac{1}{2}$ (38.1mm)	$1\frac{3}{8}$ (41.3mm)
B	$\frac{1}{2}$ (12.7mm)	$\frac{5}{8}$ (15.9mm)	



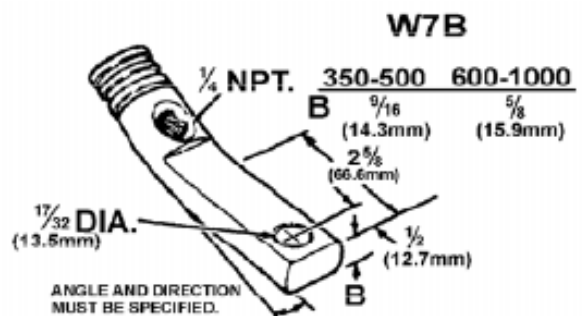
B	
350-500	$2\frac{1}{16}$ (69mm)
600	3 (76.2mm)
750	$3\frac{3}{4}$ (82.5mm)
1000	$3\frac{1}{8}$ (93.7mm)



B	
350-500	$1\frac{3}{8}$ (35mm)
600	$1\frac{3}{4}$ (44.5mm)
750-1000	$1\frac{7}{8}$ (47.6mm)



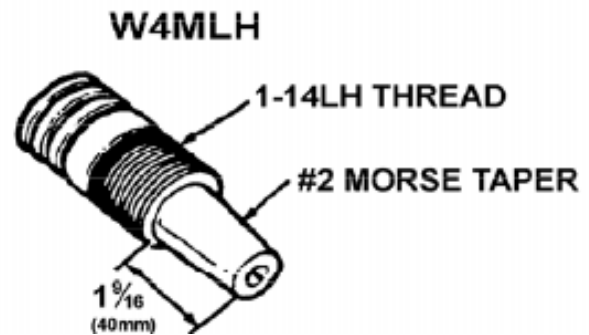
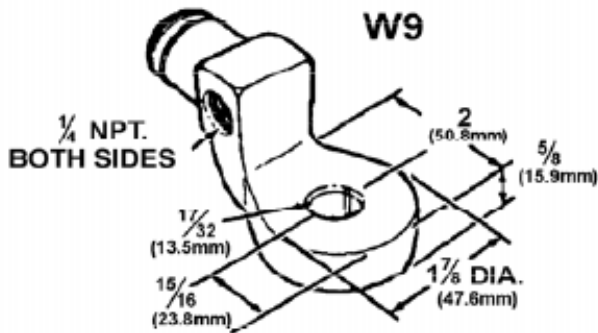
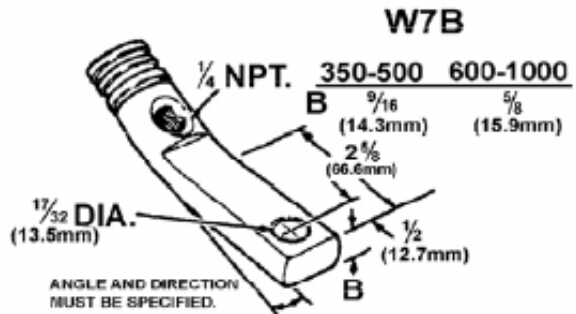
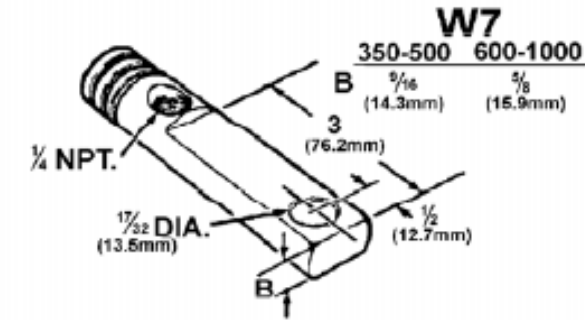
	350-500	600-1000
B	$\frac{9}{16}$ (14.3mm)	$\frac{5}{8}$ (15.9mm)



	350-500	600-1000
B	$\frac{9}{16}$ (14.3mm)	$\frac{5}{8}$ (15.9mm)



Water Cooled Cable Terminals Chart



A variety of terminals are also available as needed.

W6-2	W9M	W4MRH
W5GB	W5M	W6-2
W6-D	W6-D2	W6-S
W6-S2	W62	W62D
W62E	W9	W9M
W11	W20M	W22
W24	W25	W26
W27	W28	W29
W30	W31	

**Custom terminals also available

