



FLEX-CABLE

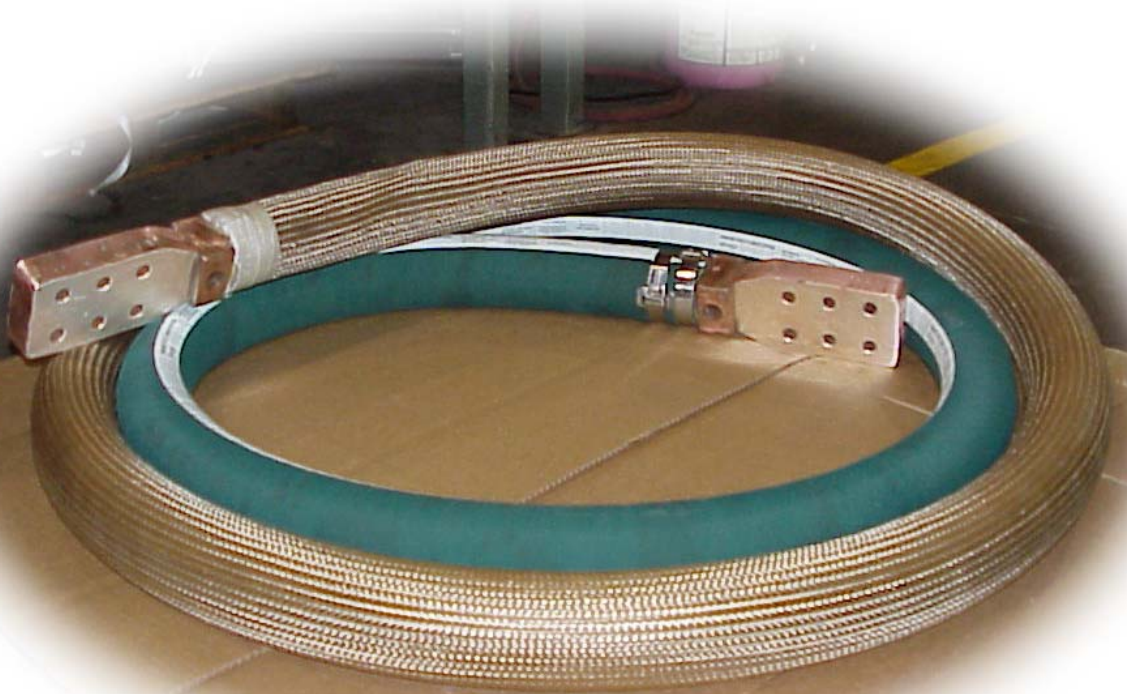
HIGH VOLTAGE FURNACE CABLES

AMPACITY FROM 3600-9000 AMPS

STANDARD OR CUSTOM

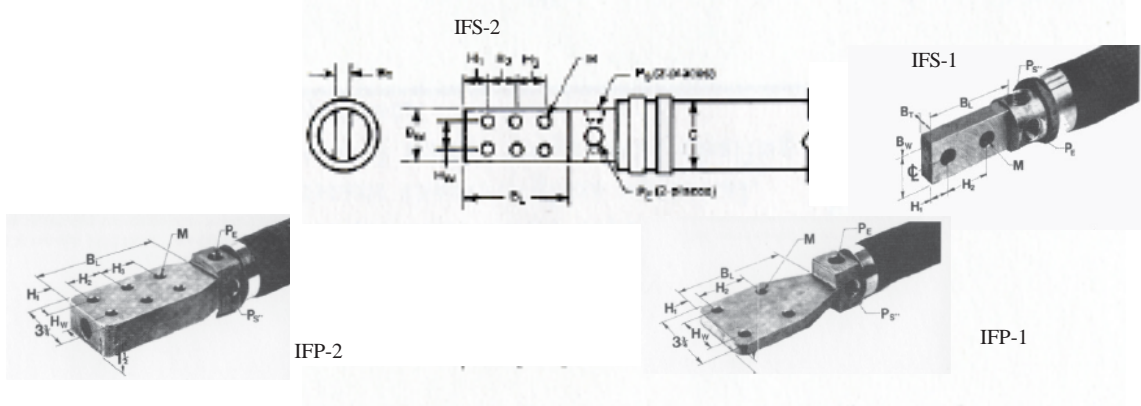
**Custom Built:
NEW and Rework**

Quality is Built in from Terminal to Terminal



High Voltage Cover with Optional Heat Shield

www.flexcable.com



CATALOG NO. (STYLE*)	CABLE SIZE (MCM)	B _L	B _W	B _T	H _W	MOUNTING HOLES					P _E NPT	P _S NPT	C	REMARKS Notes	See
						QTY	H ₁ (in.)	H ₂	H ₃	M (Dia.)					
120 IFS-1	1500	5	2-1/2	1.00	0	2	1-1/4	2	1-3/4	1-3/4	9/16	1/2	1/2	3-3/4	3
120 IFP-1															
150 IFP-A															
150 IFS-1	2000	5	2-1/2	1.00	0	2	1-1/4	2	1-3/4	1-3/4	9/16	1/2	1/2	3-3/4	3
150 IFS-2															
200 IFS-1	2500	5	2-1/2	1.00	0	2	1-1/4	2	1-3/4	1-3/4	9/16	1/2	1/2	3-3/4	3
200 IFP-2															
250 IFS-2	3000	6	3	1.25	1.50	6	1-1/4	1-3/4	1-3/4	1-1/16	1/2	1/2	See Note 1	3-3/4	3
250 IFP-2															
300 IFS-2	3000	6	3	1.25	1.50	6	1-1/4	1-3/4	1-3/4	1-1/16	1/2	1/2	See Note 2	3-3/4	3
300 IFP-2															

Catalog No. (Style)	Cables Size MCM (mm ²)	Ampacity*	DC Resistance Micro-OHMS/ft.		R _{AC} /R _{DC} Ratio @60Hz	GMR	GPM **/Cable	Minimum Bend Radius (inches)	Appx. Wt. (25' Cable)
			20°C	45°C Rise					
150 IFS-1	1500 (750)	4500	7.150	8.000	1.148	0.64	2	16	190
150 IFP-2									
200 IFS-1	2000 (1000)	6000	5.360	6.000	1.240	0.60	2	20	240
200 IFP-2									
250 IFS-2	2500 (1250)	7500	4.290	4.800	1.349	1.10	2	24	290
250 IFP-2									
300 IFS-2	3000 (1500)	9000	3.580	4.000	1.455	1.18	2	24	350
300 IFP-2									

NOTES:

1. Side ports (P_s) only if specified.
 2. 3/4" NPT available on request.
- Inless otherwise specified water ports P_e and P_s will be 1/2" NPT as listed.
3. Heat shield sleeve for splash protection available on request.

NOTE - Requests for quotes or orders require the specific Cable No. (style), Overall Length (ft.) and should reference the following when applicable:

* Rated at maximum of 3000 amps/1000 MCM (500mm²)
 ** Minimum to maintain a maximum exit temperature of 65°C (150°F) for a 25' cable