



FLEX-CABLE

ARMORED WIRE CLAMP

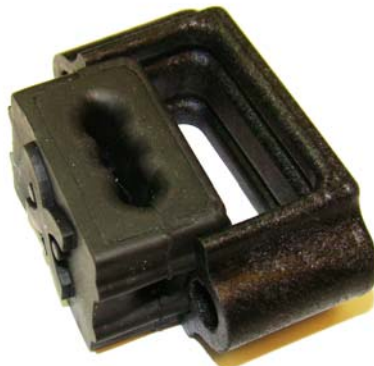
LOW PROFILE SUPPORT CLAMP

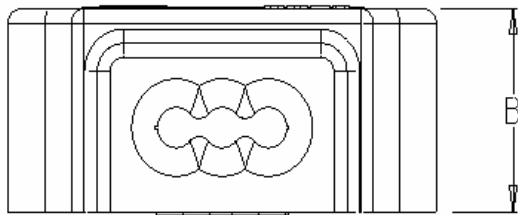
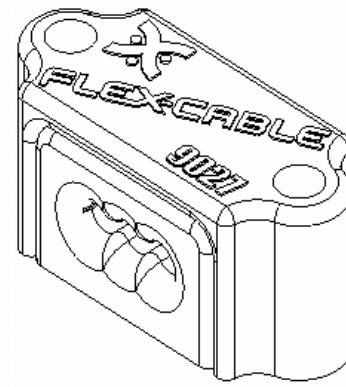
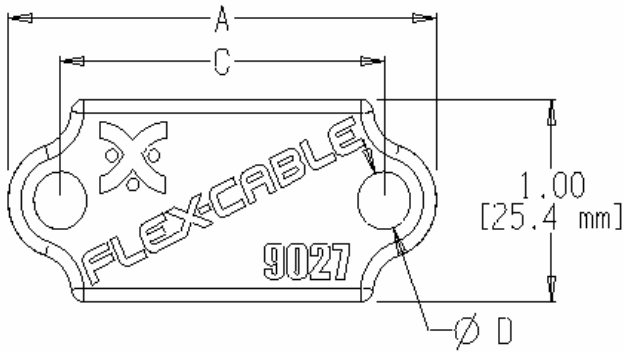
Flat cable support clamp featuring external structure made of glass-filled nylon with a compliant rubber cable support structure.

Designed for secure mounting to machinery while providing cable assembly support



Insert (Grommet) slides into nylon support (Shell) which connects onto desired location using mounting screws to secure clamp.



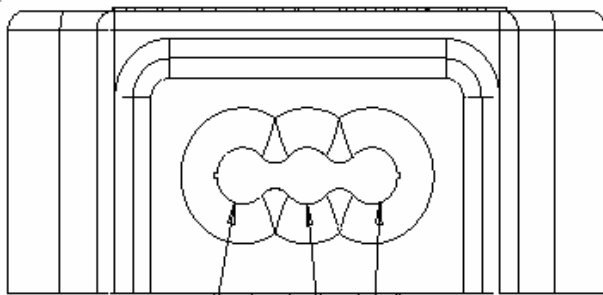


Part Number Scheme

	WIDTH (A)	HEIGHT (B)	HOLE PATTERN (C)	BOLT SIZE(D)
9027-A	2.02	.80	1.50(38MM)	#10
9027-B	2.02	1.00	1.75 (45MM)	1/4 (6MM)

Example:

9027-B03



DIA₁ DIA₂ DIA₃

Shell Size	Number	DIA ₁ (MM)	DIA ₂ (MM)	DIA ₃ (MM)
A or B	01	MICRO-FLEX 3 POD POWER/ENCODER		
A or B	02	11	11	--
A or B	03	11	12	--
A or B	05	11	14	--
B	06	11	9	11